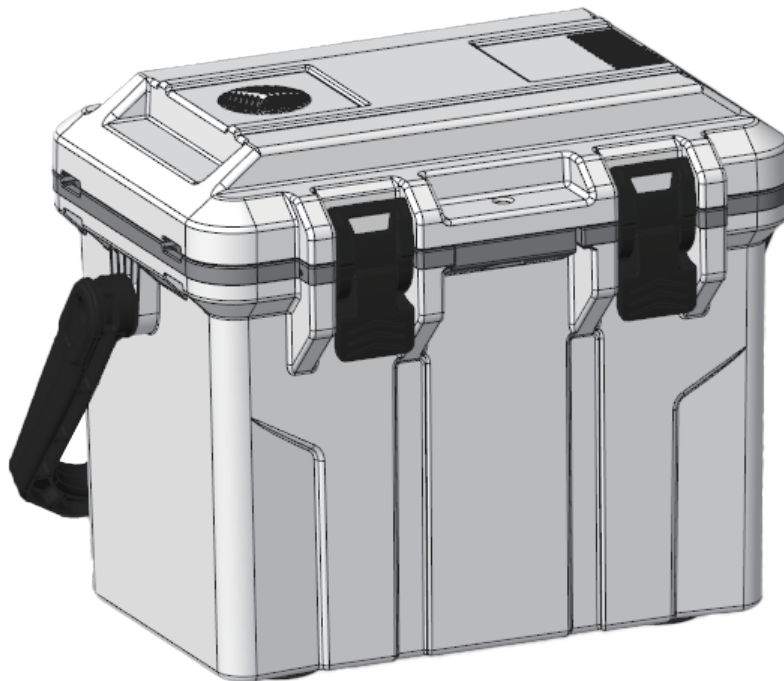
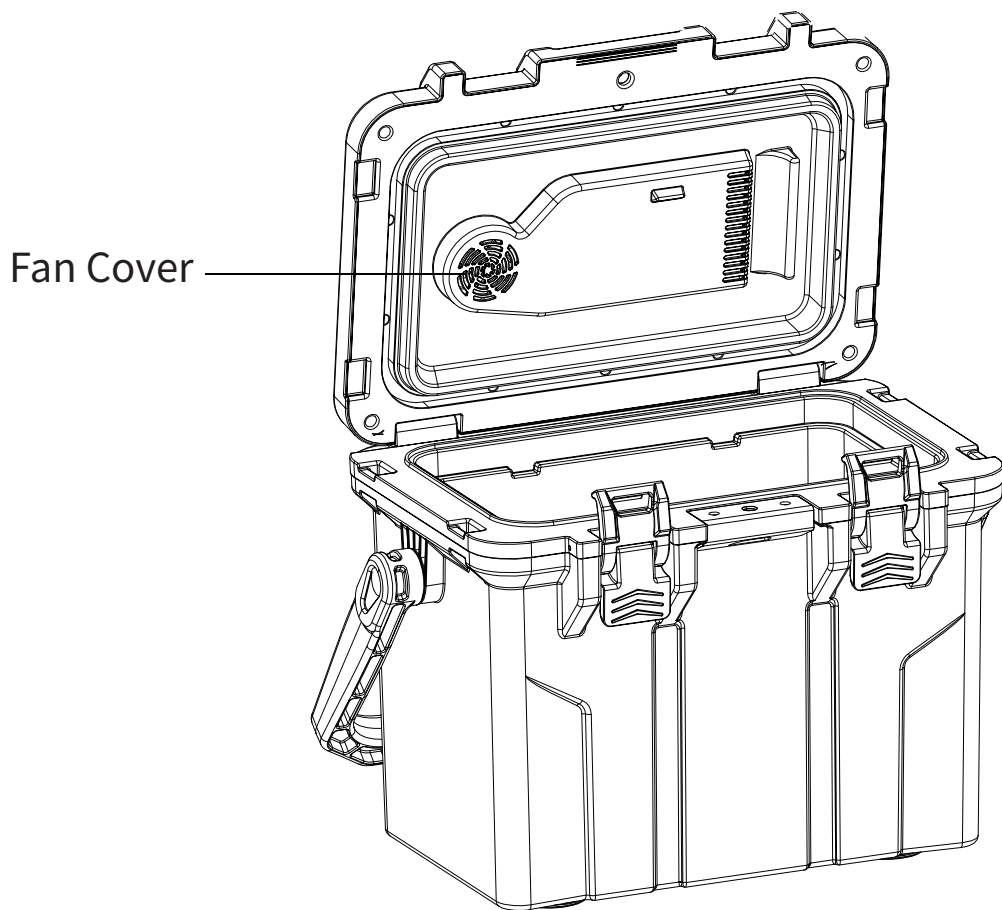
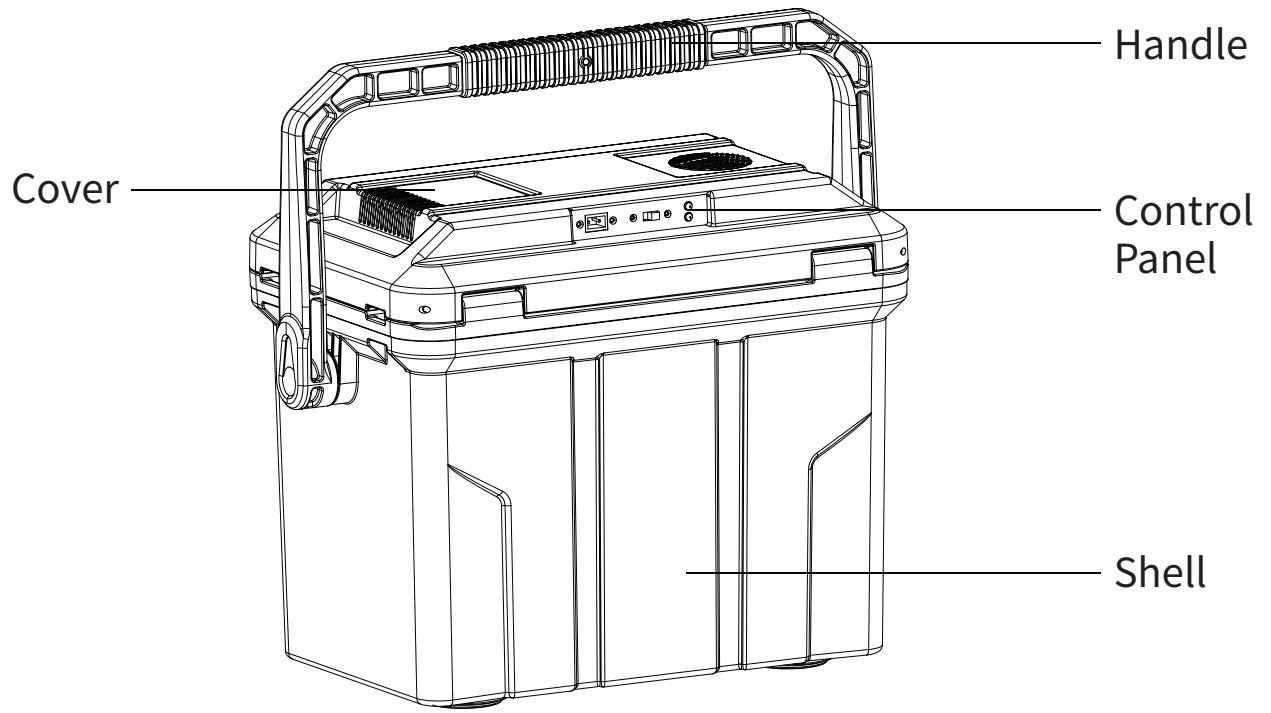


Semiconductor Refrigerator

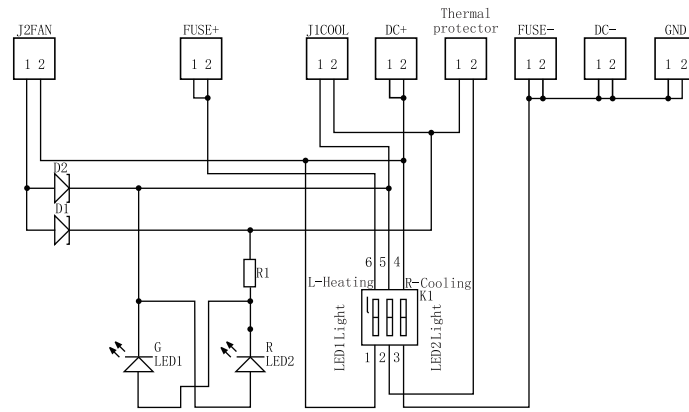
COOLBOX MANUAL RB15



Ver:1.0



Electronic schematic



Product feature description

size(mm):486*316.9*366

Master pack dimensions(mm):505*335*395

Capacity(L):15

Refrigeration mode:Semiconductor

Power rating:45W

Rated current(DC12V):4.0A

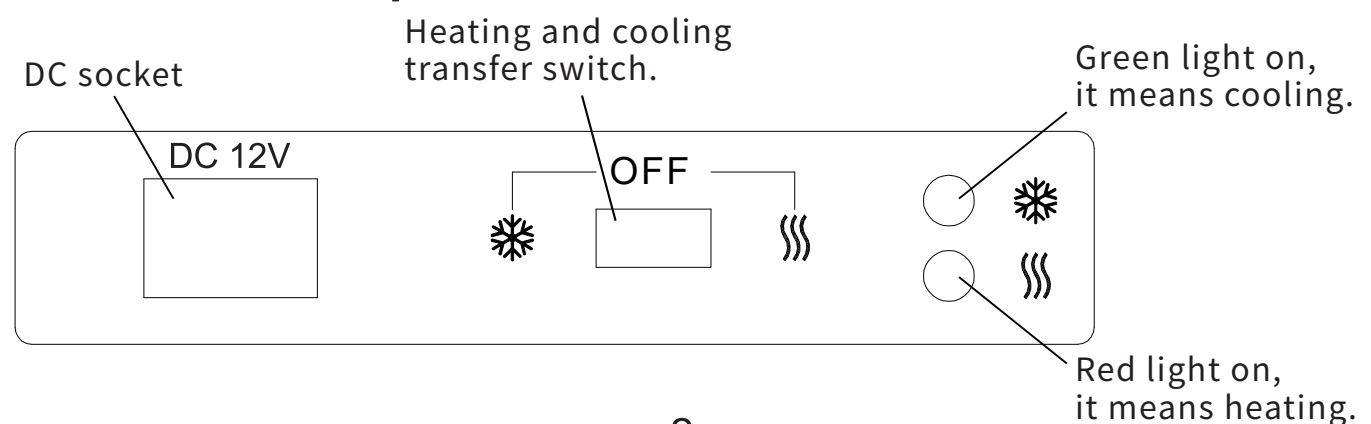
Rated current(220V~50Hz):0.45A

Working ambient temperature:20°C~32°C

Features:



- 1.PU thermal insulation layer, good thermal insulation performance.
- 2.Food-grade inner tank.
- 3.Portable handle design, comfortable hand feeling super load-bearing.

Features and performance:



1、Function Description:

①The DC socket is connected to the adapter, the adapter socket is connected to the household power supply, and the DC is connected to the vehicle power supply.

②There are two modes of cooling and heating under both power sources. After plugging in the power supply, turn the switch to , the machine starts to cool, and the green indicator light will light up. When the switch is turned to , the machine starts to heat, and the red indicator light will light up.

2、Performance description

①Machine efficiency: MAX gear power is 45W.

②In the environment of 25°C, the cooling temperature difference between the middle and lower parts of the box can reach more than 20°C.

③In the environment of 25°C, the heating temperature of the middle and lower parts of the box can be maintained at 55°C±5°C.

Product usage scenarios

The product is used for home appliances and similar purposes, such as:

- Kitchen areas in shops and offices or other workplaces.
- Customers on farms and in hotels, motels, and residential environments.
- Family hotel type environment.
- Outdoor camping application.
- Catering and similar non-retail applications.

Precautions

- 1、Remove all packing materials and inspect the machine carefully to confirm that the machine, power cord and plug are normal.
- 2、The machine should be placed on a horizontal surface. Reserve a space of 150mm at the top and the air outlet to ensure that the

machine can be properly ventilated. Do not place the machine near ovens, radiators or other heat sources.

3、When the refrigerator is not in use, turn the switch to the off position and unplug it.

4、Do not disassemble or modify the small refrigerator.

5、When cooling, do not suddenly turn on the heating function, when heating, do not suddenly turn on the cooling function (put the switch in the off position for 30 minutes and then turn it on).

6、Do not store explosives in the product, such as flame retardant sprays, etc.

7、When camping, the product should be able to connect to more than one energy source, and the product should not be exposed to rain.

Operation instructions

1、Take the product out of the package and place it on a horizontal surface.

2、Open the top cover before the first use and place it in a ventilated place for 1~2 hours.

3、Please use the standard power cord / cigarette plug.

4、Do not put cans or soft drinks into the box when using the heating system.

Maintenance

1、Please make sure there is no electricity before cleaning to avoid the risk of electric shock.

2、Do not use corrosive acid, alkaline solution for cleaning to avoid discoloration and deterioration of plastic parts.

3、Clean the stains around the box frequently to avoid peculiar smell.

4、Do not rinse the upper cover directly with water to avoid mechanical failure.

Warning



Proper disposal of this product:

This symbol indicates that this product should not be disposed of in the garbage like other household garbage, to prevent pollution of the environment and affect the health of others, and it should be disposed of properly so that the recyclable materials can be used continuously and resources can be saved.

After-sales service

This machine can enjoy one year warranty from the date of purchase.

One of the following situations is not covered by the warranty:

1. Damage caused by consumers due to improper use, maintenance and storage.
2. Damage caused by disassembling and assembling the product without the company's maintenance personnel or designated special maintenance personnel.
3. There is no purchase invoice or the purchase invoice does not match the product.
4. Damage caused by force majeure.
5. Exceeded the warranty period.

Maintenance

If you find any quality problems with this product, please contact the company's after-sales service center or special maintenance service point for repair. Do not disassemble it yourself. The company will not be responsible for any quality problems or accidents caused by self-disassembly. Products that are not within the warranty period will be repaired for a fee according to the company's relevant regulations on after-sales service. The company reserves the right of final interpretation of the above commitments.